



English / Englisch

# Spare Parts

for the edge sanding machine

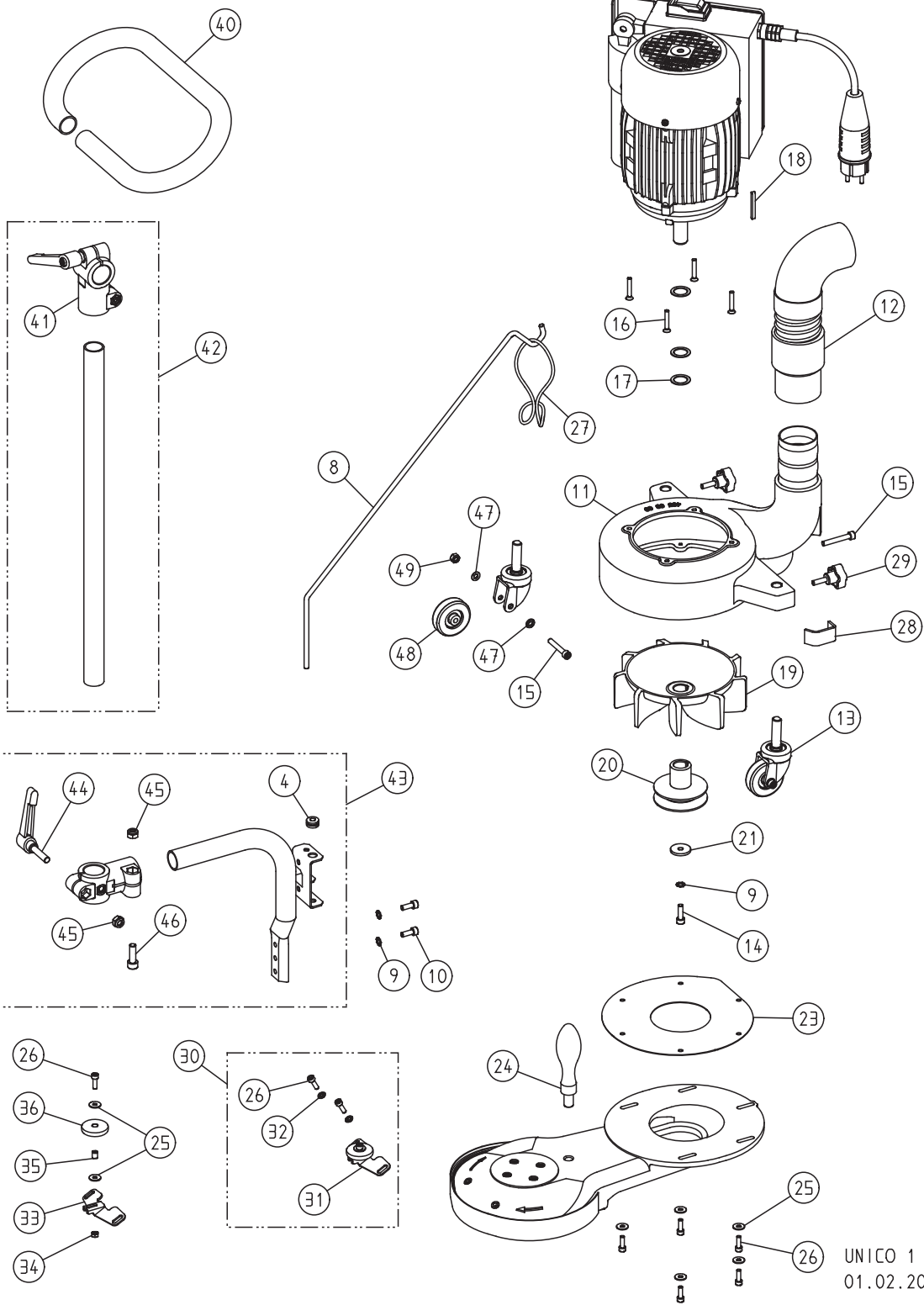
## UNICO

**Lägler**®

00.465.20.802 01.02.2013



SPARE PARTS

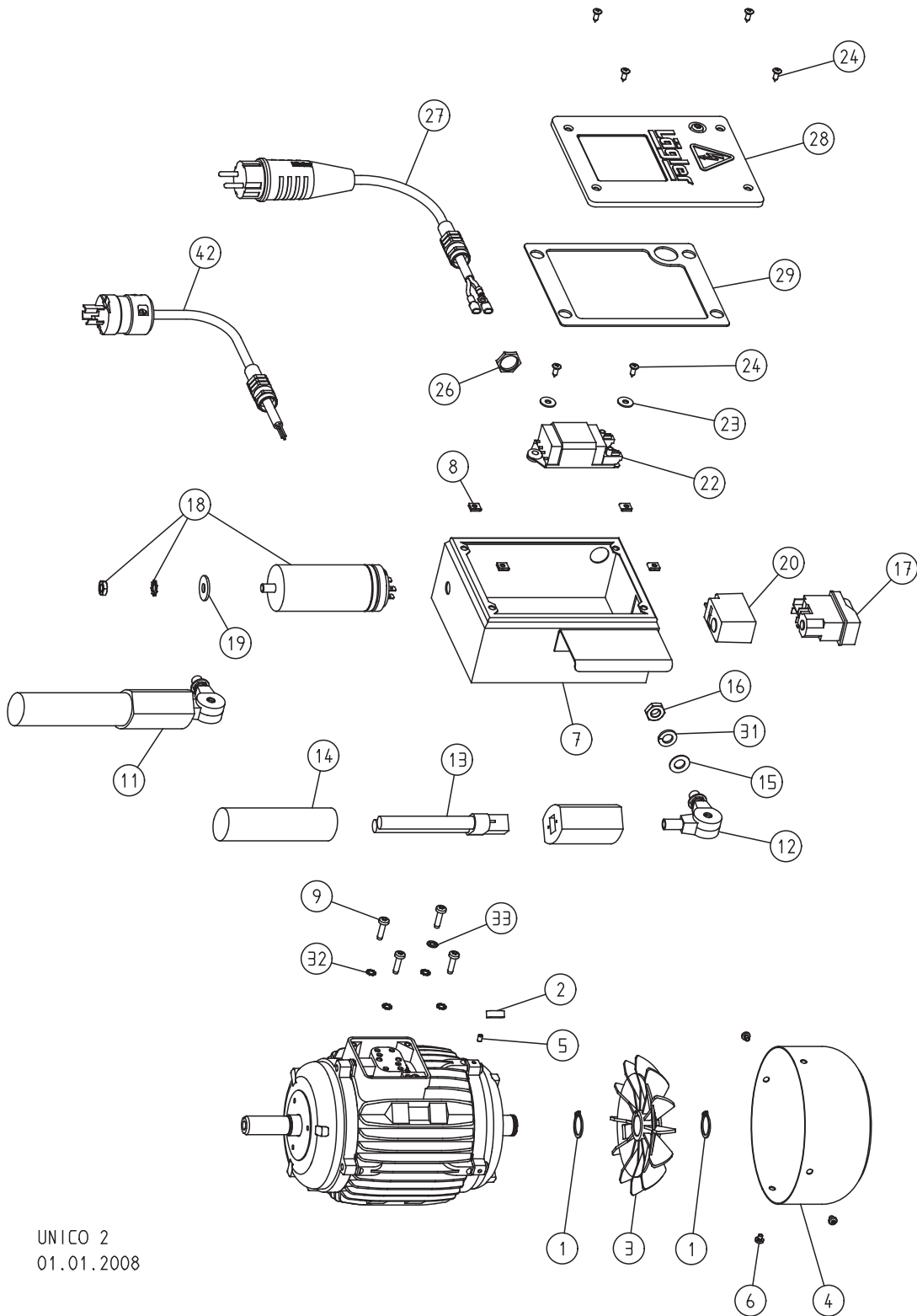


UNICO 1  
01.02.2005

SPARE PARTS

Item	Part number	Description
4	000.63.12.071	Rubber tube
8	465.20.26.100	Cable support, complete
9	6797.1006.900	Washer
10	0912.1006.016	Screw
11	465.08.00.100	Fan housing, complete
12	465.14.00.105	Hose
13	465.05.00.200	Guide roller, complete
14	0912.1006.020	Screw
15	0912.1006.940	Screw
16	7500.1005.830	Screw
17	0988.0018.010	Washer
18	6885.0404.040	Parallel key
19	465.08.02.100	Fan wheel
20	465.65.06.100	Motor pulley
21	000.10.10.061	Washer
23	465.08.10.105	Sheet cover
24	000.20.30.121	Handle
25	9021.1005.000	Washer
26	0912.1005.016	Screw
27	00.000.41.002	Strain relief ring
28	465.08.21.105	Bumper felt
29	000.20.25.065	Cross grip
30	465.60.00.100	Wall-protecting roller with bracket, complete
31	465.60.10.100	Wall-protecting roller with bracket
32	0125.1005.000	Washer
33	465.60.01.100	Holder for wall-protecting roller
34	0934.1005.000	Nut
35	000.43.15.052	Bush
36	465.60.02.100	Wall-protecting roller
40	465.20.08.200	Handle
41	465.20.04.100	Pipe clamp
42	465.20.31.200	Guide tube
	465.20.30.200	Guide tube with handle
43	465.20.10.200	Pipe bend, complete
44	000.20.40.084	Clamping device
45	0980.1008.000	Nut
46	0912.1008.025	Screw
47	0125.1006.000	Washer
48	465.05.09.105	Wheel
49	0980.1006.000	Nut

# SPARE PARTS

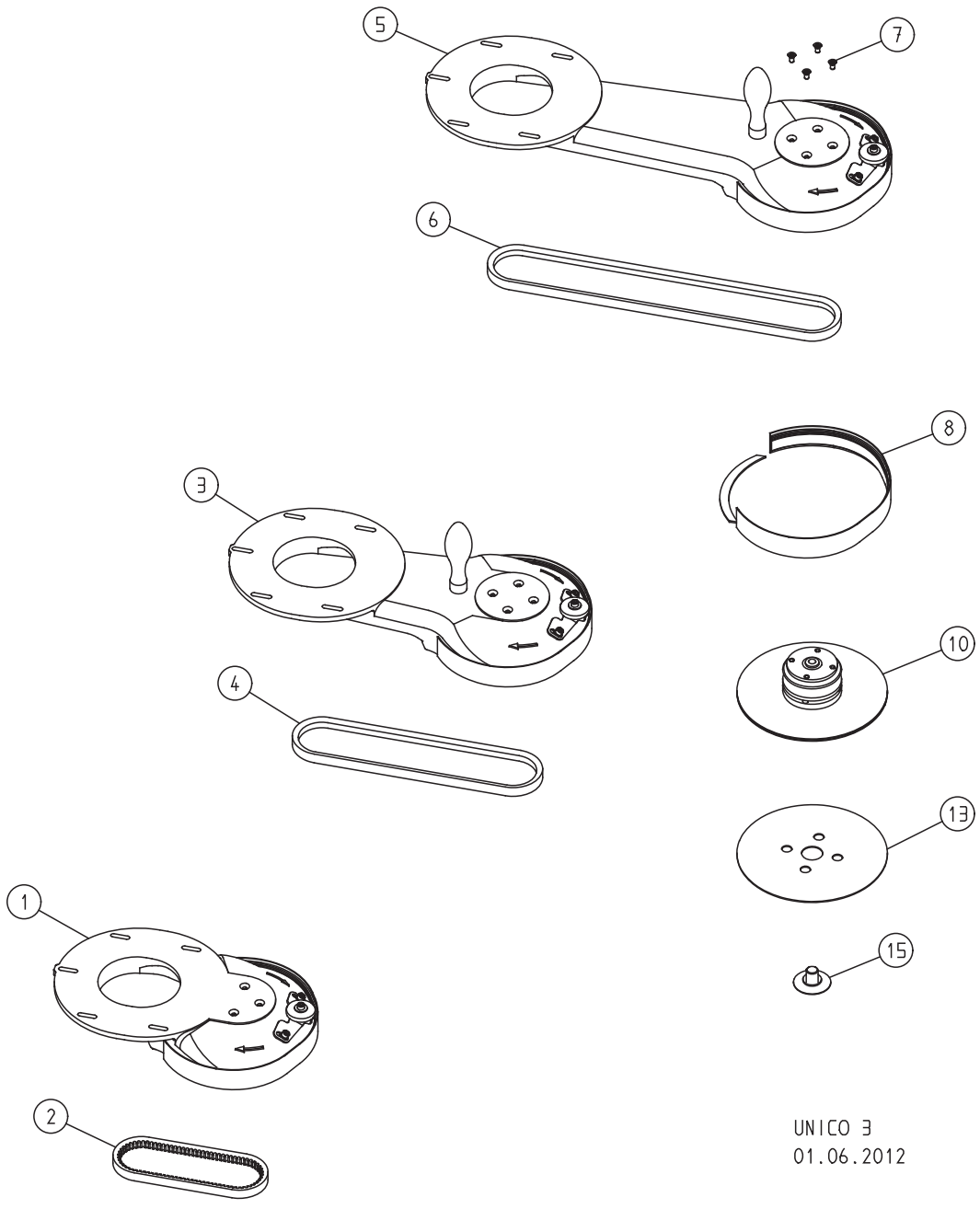


UNICO 2  
01.01.2008

SPARE PARTS

Item	Part number	Description
	465.65.00.100	Motor, 230 V / 50 CPS / 1.1 kW
	466.65.00.100	Motor, 230 V / 60 CPS / 1.1 kW
	468.65.00.100	Motor, 120 V / 60 CPS / 1.1 kW
	467.65.00.100	Motor, 220 V / 60 CPS / 1.1 kW, USA
	469.65.00.100	Motor, 110 V / 60 CPS / 1.1 kW, USA
1	0471.0020.000	Circlip
2	6885.0606.018	Parallel key
3	900.65.08.100	Fan blade
4	900.65.09.100	Fan cover
5	0913.0004.006	Grub screw
6	7985.1004.805	Screw
7	465.65.40.100	Switch box with clip nut
8	000.50.10.109	Clip nut
9	7500.1005.020	Screw
11	465.63.01.105	Working light, complete
12	465.63.20.105	Joint
13	465.63.11.105	Fluorescent tube
14	465.63.12.105	Tube
15	0125.1010.000	Washer
16	0439.1010.010	Nut
17	000.65.60.256	Switch, 230 V / 50 + 60 CPS
	000.65.60.156	Switch, 110 + 120 V / 60 + 50 CPS
	000.65.62.160	PVC cap with switch frame
18	000.65.10.031	Capacitor 30 $\mu$ F
	000.65.10.131	Starting capacitor 130 $\mu$ F, USA
19	9021.1008.000	Washer
20	000.65.62.150	Dust cover
22	465.63.52.105	Fluorescent lamp ballast, 230 V / 50 CPS
	465.63.62.105	Fluorescent lamp ballast, 220 + 230 V / 60 CPS
	465.63.61.105	Fluorescent lamp ballast, 110 + 120 V / 60 CPS
23	9021.1005.000	Washer
24	7983.1042.013	Screw
26	000.68.60.113	Nut
27	000.65.43.151	Motor cable 3 x 1.5 mm <sup>2</sup>
28	900.65.47.100	Cover with seal
29	465.65.48.105	Cover seal
31	0127.1010.000	Spring washer
32	6797.1005.900	Washer
33	0125.0105.000	Washer
42	000.65.43.153	Motor cable 3 x 1.5 mm <sup>2</sup> , USA

SPARE PARTS

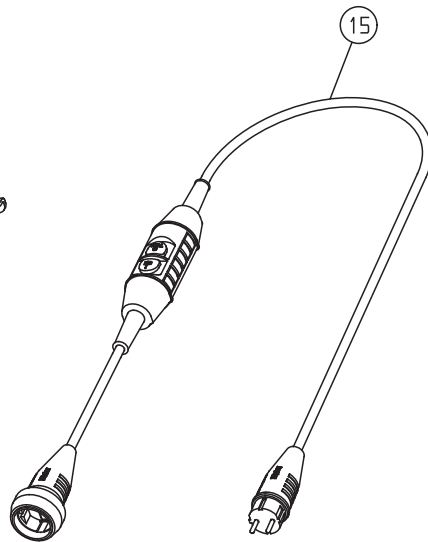
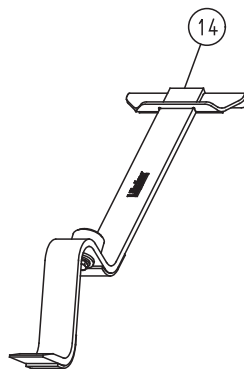
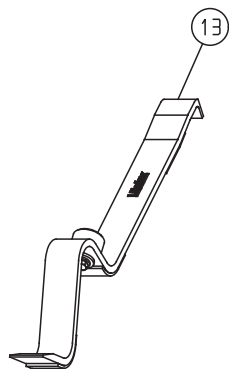
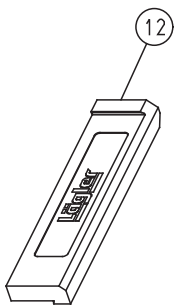
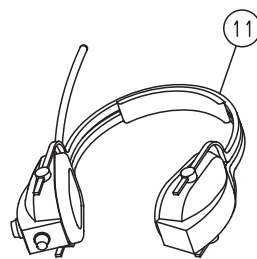
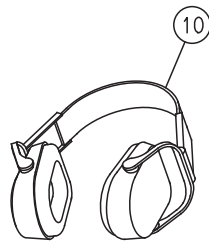
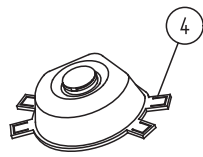
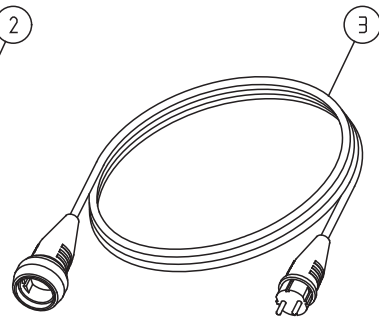
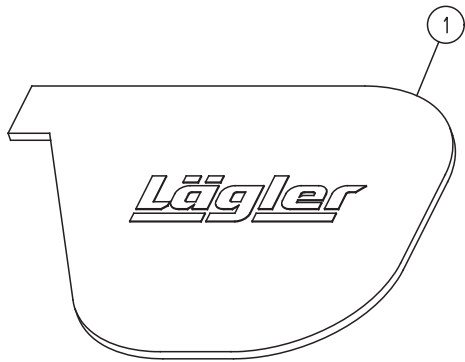


UNICO 3  
01.06.2012

SPARE PARTS

Item	Part number	Description
1	425.01.01.200	Attachment 105 mm
2	000.70.13.044	V-belt
	425.01.00.200	Attachment 105 mm, complete
3	445.01.01.200	Attachment 230 mm
4	000.70.13.067	V-belt
	445.01.00.200	Attachment 230 mm, complete
5	465.01.01.200	Attachment 350 mm
6	000.70.13.092	V-belt
	465.01.00.200	Attachment 350 mm, complete
7	0965.1005.810	Screw
8	465.01.52.100	Sealing set
	465.01.51.105	Velcro by the roll (50 m)
10	465.01.91.200	Sanding plate, complete
13	465.02.12.205	Velcro disc 177 mm
	465.02.06.105	Felt disc
15	465.02.05.100	Paper tensioning screw

SPARE PARTS



UNICO 4  
01.01.2008



## SPARE PARTS

Item	Part number	Description
1	465.00.80.105	Dust bag UNICO
2	000.01.40.110	MultiClip
3	000.65.53.151	Extension cable 3 x 1.5 mm <sup>2</sup> , 10 m long
4	000.01.20.010	Respiratory protection mask P3
5	000.93.11.041	Hexagonal socket screw wrench 4 mm
6	000.93.11.051	Hexagonal socket screw wrench 5 mm
7	000.93.11.061	Hexagonal socket screw wrench 6 mm
10	000.01.10.021	Foldable earmuff type POCKET
11	000.01.10.011	Foldable earmuff type MUSIMUFF with FM radio
12	701.10.00.100	Impact tool
13	702.00.00.200	Parquet layer tool ZUGEISEN, small
14	703.00.00.200	Parquet layer tool ZUGEISEN, broad
15	000.01.65.020	Safety switch PRCD-S (for German mains supply)