

SINGLE - THE SINGLE-DISC SANDING MACHINE



English / Englisch

Spare Parts

for the single-disc sanding machine

SINGLE

Lägler
www.laegler.com

Copyright © Eugen Lägler GmbH, 2016 – All rights reserved. Subject to changes.



00.850.20.802 01.01.2016

ATTENTION!

In order to receive the correct spare parts from us, please specify in inquiries and spare part orders always the serial numbers of your machines!

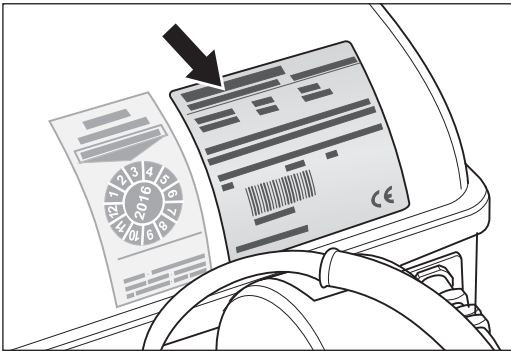


Fig. 1 Type plate on motor cover.

The type plate of SINGLE is located on the motor cover (fig. 1). The following technical data are specified on the type plate (fig. 2):

- 1 Manufacturer
- 2 **Serial number of machine (Mach.-No.)**
- 3 Year of manufacture (Year)
- 4 Machine name (Type)
- 5 Required mains voltage in volt (V)
- 6 Current consumption in ampere (A)
- 7 Motor frequency in CPS (Hz)
- 8 Motor power in kilowatt (KW)
- 9 Motor speed in 1/min (Rpm)
- 10 Weight of machine in kilogram (Weight)
- 11 Insulation class (Insul. Cl.)
- 12 Protection class (Prot. Cl.)
- 13 Type of current
- 14 Country of manufacture

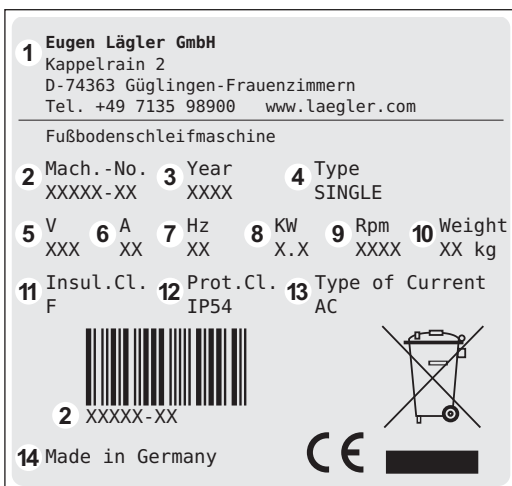
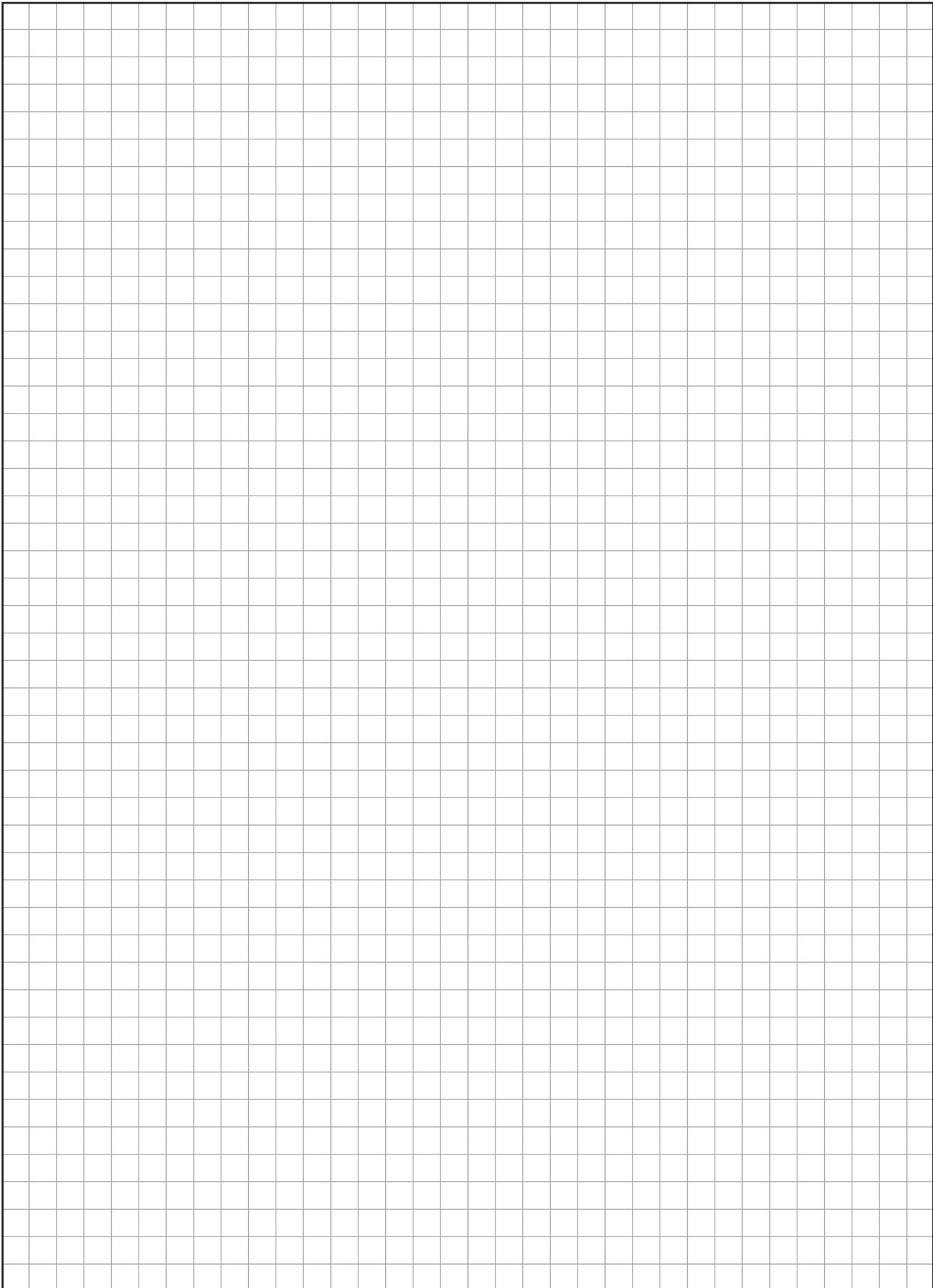
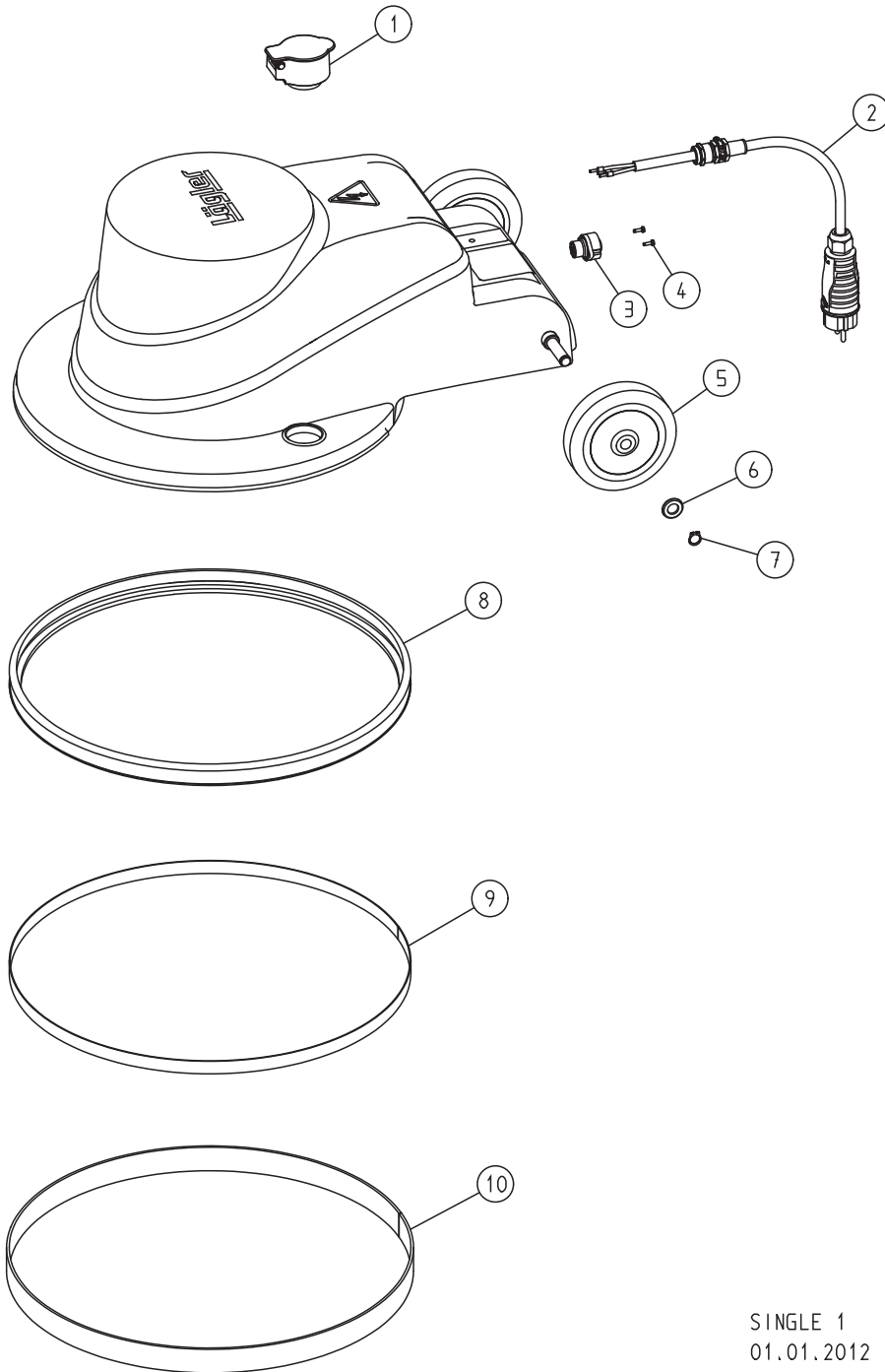


Fig. 2 Data on type plate.



SPARE PARTS SINGLE

ATTENTION: Please specify in inquiries and spare part orders always the serial numbers of your machines!



SINGLE 1
01.01.2012

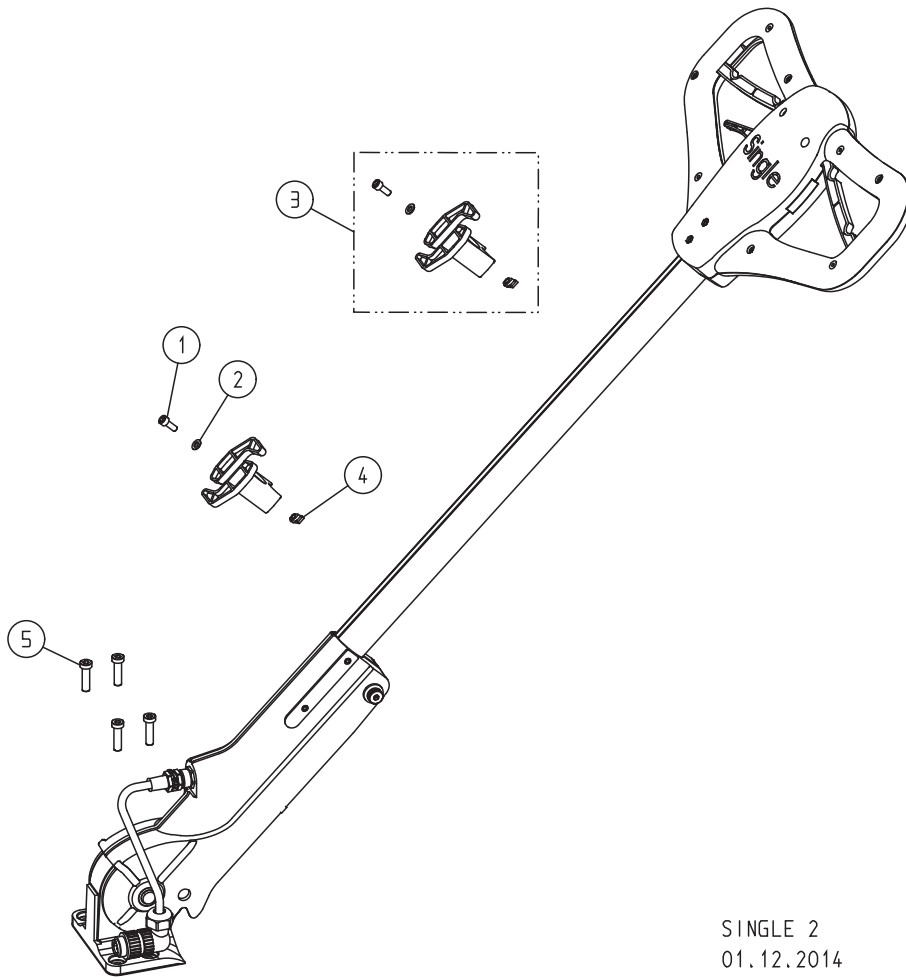
SPARE PARTS SINGLE

Item	Part number	Description
1	850.01.80.200	Dust extraction socket
2	000.65.43.252	Motor cable 3 x 2.5 mm ²
3	000.65.71.040	Integrated socket
4	7500.1003.010	Screw
5	850.05.09.105	Wheel
6	0125.1012.000	Washer
7	0471.0012.000	Circlip
8	850.01.02.105	Buffer
9	850.01.40.100	Velcro
10	850.01.51.100	Fluffy sealing strip

ATTENTION: Please specify in inquiries and spare part orders always the serial numbers of your machines!

SPARE PARTS SINGLE

ATTENTION: Please specify in inquiries and spare part orders always the serial numbers of your machines!



SINGLE 2
01.12.2014

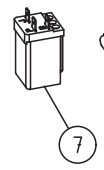
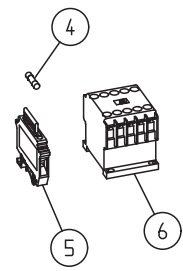
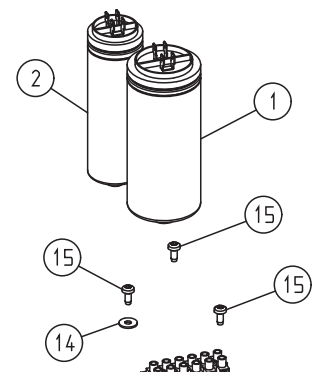
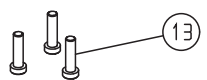
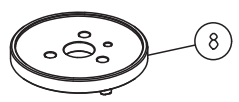
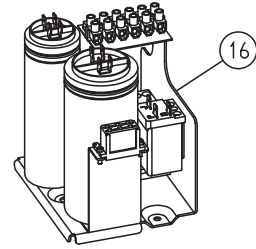
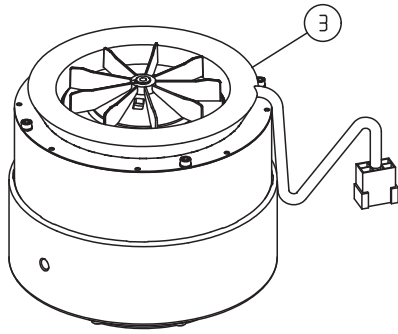
SPARE PARTS SINGLE

Item	Part number	Description
	850.20.00.200	Handle SINGLE, complete
1	0912.1006.016	Screw
2	0125.1006.000	Washer
3	850.20.26.100	Cable holder complete
4	850.20.29.100	Sliding block
5	7984.1008.030	Screw

ATTENTION: Please specify in inquiries and spare part orders always the serial numbers of your machines!

SPARE PARTS SINGLE

ATTENTION: Please specify in inquiries and spare part orders always the serial numbers of your machines!



SINGLE 3
01.01.2013

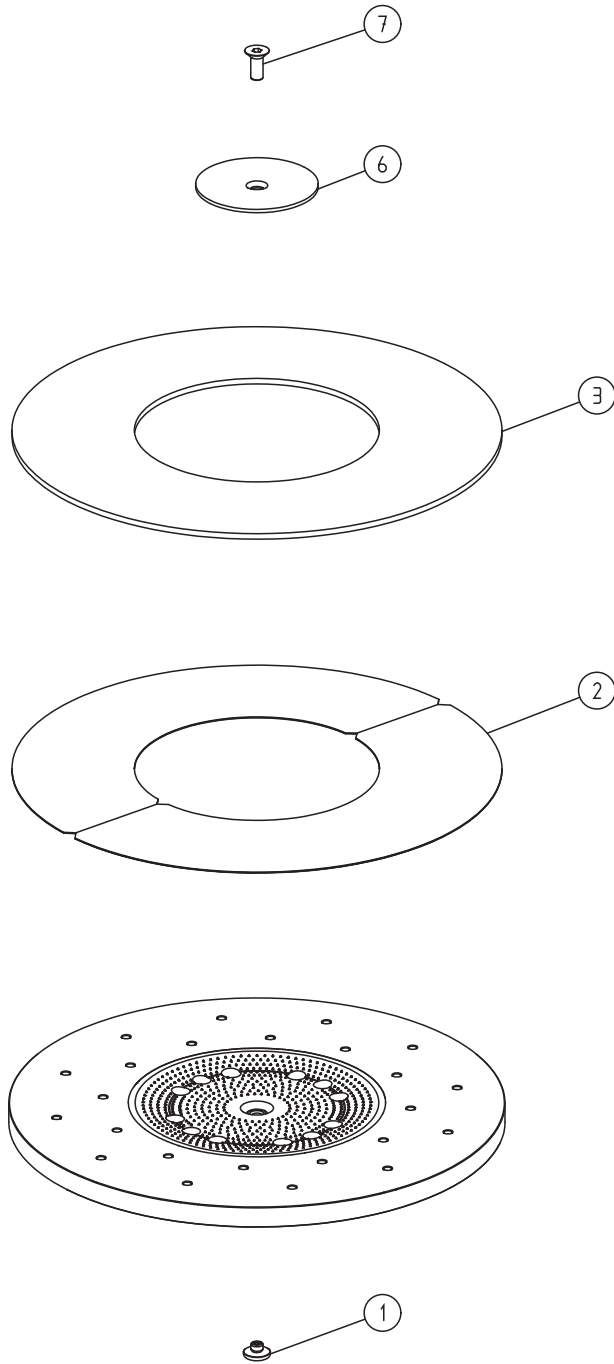
SPARE PARTS SINGLE

Item	Part number	Description
1	000.65.10.041	Running capacitor 40 µF
2	000.65.10.061	Starting capacitor 60 µF
3	850.65.00.200	Motor, 230 V / 50 CPS / 1.2 kW
4	000.65.80.061	Fuse, 6.3 A
5	000.65.82.010	Fuse holder
6	000.65.20.012	Contactactor
7	000.65.20.230	Relay
8	850.64.06.100	Adapter mounting
9	850.64.07.205	Shock absorber
10	850.64.08.100	Plate mounting
11	1481.0006.032	Spring type straight pin
12	6797.1008.000	Washer
13	7984.1008.030	Screw
14	9021.1005.000	Washer
15	7500.1005.012	Screw
16	850.65.80.100	Control electric system complete, 230 V / 50 CPS

ATTENTION: Please specify in inquiries and spare part orders always the serial numbers of your machines!

SPARE PARTS SINGLE

ATTENTION: Please specify in inquiries and spare part orders always the serial numbers of your machines!



SINGLE 4
01.01.2010

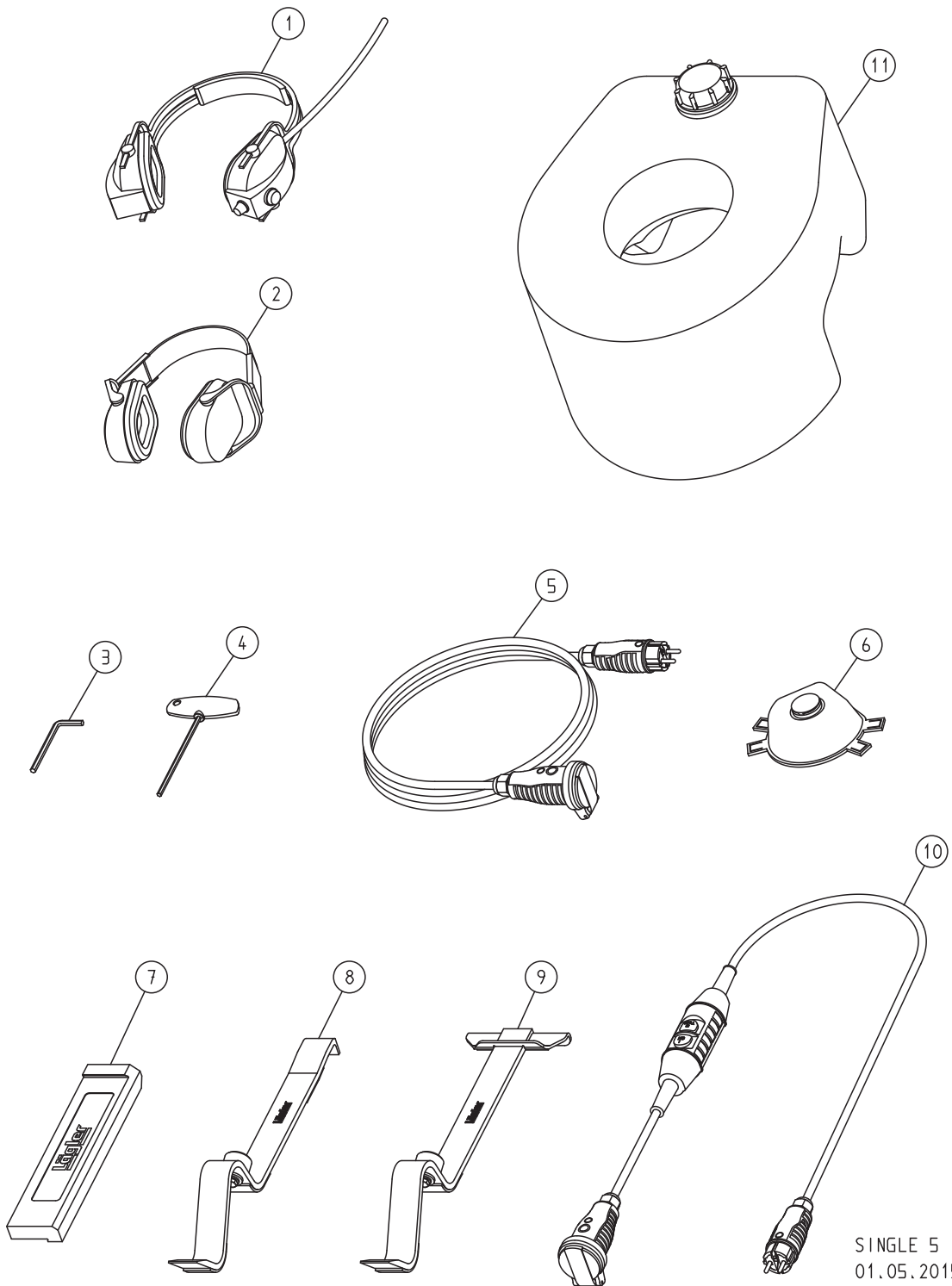
SPARE PARTS SINGLE

Item	Part number	Description
	850.02.10.100	Sanding plate SINGLE complete
1	850.02.06.200	Centering dome
2	850.02.11.100	Velcro coating, for pad and Velcro sanding disc (two parts necessary)
3	850.02.13.105	Velcro ring flexible
6	850.02.05.100	Paper tensioning disc
7	7991.1010.725	Screw, left-handed thread

ATTENTION: Please specify in inquiries and spare part orders always the serial numbers of your machines!

SPARE PARTS SINGLE

ATTENTION: Please specify in inquiries and spare part orders always the serial numbers of your machines!



SINGLE 5
01.05.2015

SPARE PARTS SINGLE

Item	Part number	Description
1	000.01.10.011	Foldable earmuff type MUSIMUFF with FM radio
2	000.01.10.021	Foldable earmuff type POCKET
3	000.93.11.061	Hexagonal socket screw wrench 6 mm
4	000.93.12.052	Hexagonal socket screw wrench 5 x 150 mm
5	000.65.53.251	Extension cable 3 x 2.5 mm ² , 10 m long
6	000.01.20.010	Respiratory protection mask P3
7	701.10.00.100	Impact tool
8	702.00.00.200	Parquet layer tool ZUGEISEN, small
9	703.00.00.200	Parquet layer tool ZUGEISEN, broad
10	000.01.65.020	Safety switch PRCD-S (for German mains supply)
11	850.80.10.105	Additional weight SINGLE

ATTENTION: Please specify in inquiries and spare part orders always the serial numbers of your machines!